



# I-Sign Fix

An elegant framing profile, I-Sign Fix adds bespoke frame sizes to the I-Sign range.

Product Brochure

## Sleek, contemporary design



### I-Sign Fix is a bespoke framing profile suitable for internal or external use

Complementing the I-Sign Flex display frame and signage system is the sleek I-Sign Fix profile.

Suited to smaller or narrow frame sizes, the extruded, silver anodised aluminium profile matches Applelec's off-the-shelf I-Sign Flex range and features a slim 9mm depth. Once constructed, frames accommodate a variety of 2mm and 3mm thick materials such as acrylic, Braille, engraved or wood panels and aluminium composite sheets that have been printed or had vinyl applied.

I-Sign Display profiles can be purchased in 2.5m kit form lengths or cut to the size required and supplied ready for self-assembly. Alternatively, the frames can be fully constructed by Applelec to required dimensions.



The frames are easy to mount using mechanical fixings or for smaller sizes, double-sided VHB tape. An innovative panel clip with double-sided tape is used to mount materials inside the frame which can be positioned to allow 2mm or 3mm panels to be inserted flush with the frame.

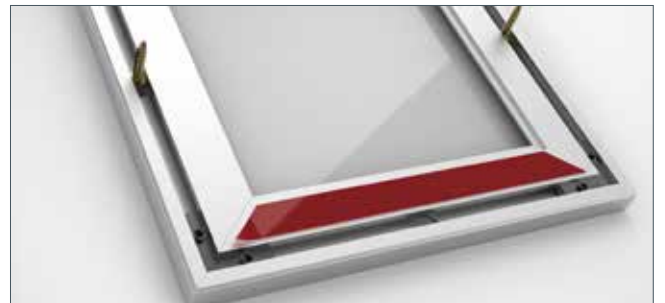
With design uniformity, the system can be used in conjunction with other products from both the I-Sign Flex and Display ranges to create fully complimentary systems for offices, hospitals, museums and educational establishments alongside retail and hospitality environments.

### Key features

- Sleek 9mm profile
- Accommodates 2mm or 3mm thick materials
- Ease of installation
- 2.5m profiles purchased in kit form or cut lengths
- Pre-constructed frames available



1. Elegant frame without visible fixtures.



4. The frames are easy to mount using mechanical fixings or for smaller sizes, double-sided VHB tape



2. Accommodates a variety of 2mm and 3mm thick materials that have been printed or had vinyl applied.



3. An innovative clip with double-sided tape is used to mount the panels inside the frame which can be altered allowing 2mm or 3mm panels to be inserted.



# I-Sign Fix Available Products



## Off the shelf

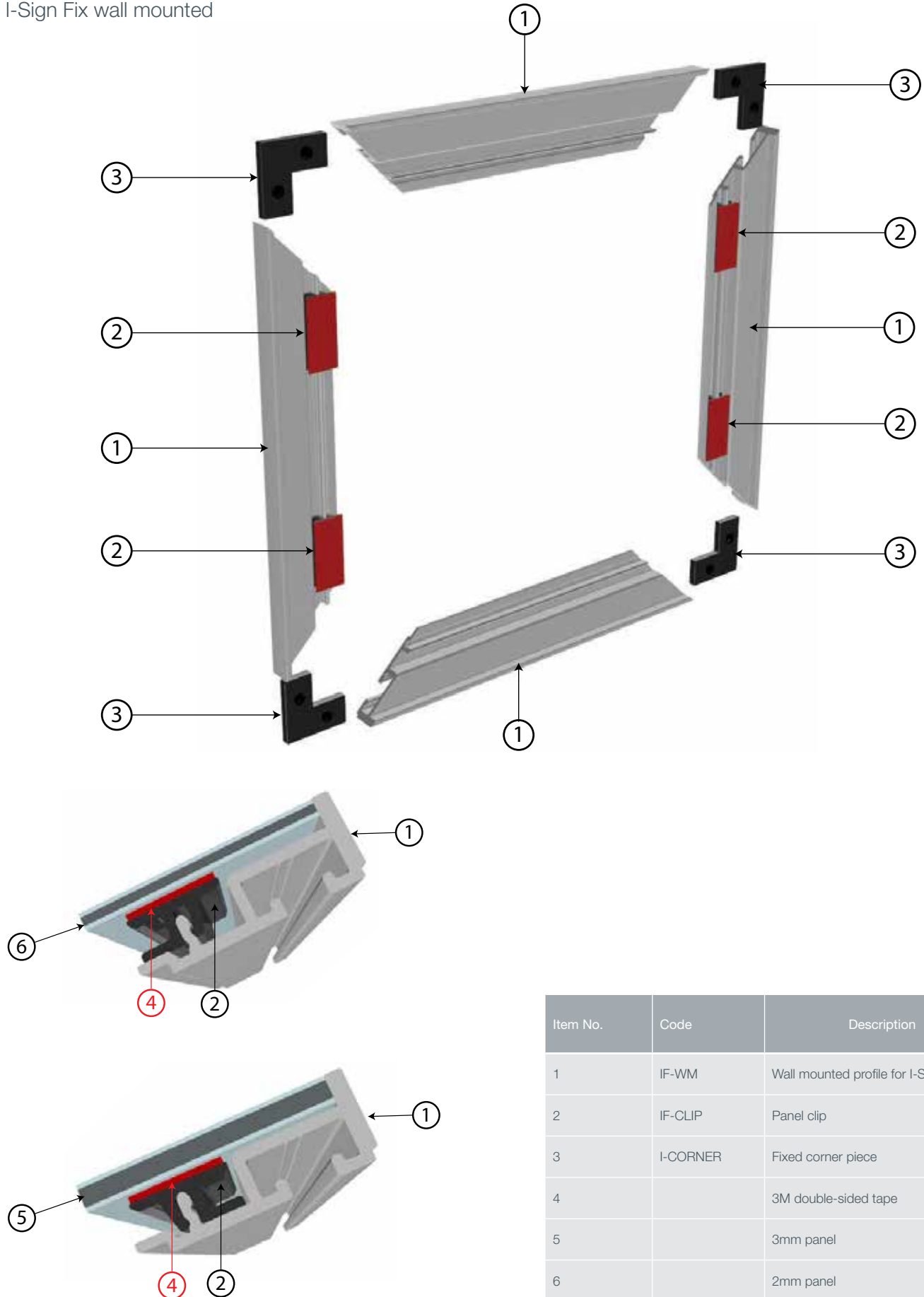
Code	Description	Insert Size	Misc.
Wall Mounted			
IF-150150-W	Wall mounted	150mm x 150mm	
IF-150300-W	Wall mounted	150mm x 300mm	
IF-150600-W	Wall mounted	150mm x 600mm	
IF-297210-W	Wall mounted	297mm x 210mm	
IF-297420-W	Wall mounted	297mm x 420mm	
Suspended Signs			
IF-150150-S	Suspended	150mm x 150mm	
IF-150300-S	Suspended	150mm x 300mm	
IF-150600-S	Suspended	150mm x 600mm	
APC4003	Suspension clip economical		2 clips per pack
Projecting Signs			
IF-150150-P	Projecting	150mm x 150mm	
IF-150300-P	Projecting	150mm x 300mm	

## Kit form

Code	Description	Misc.
IF-WM2000	I-Sign Fix Profile for Wall mounted signs	Supplied in 2.5 metre lengths
I-CLIP	Panel clip for I-Sign Fix with 3M double-sided tape	50 pieces per pack
IF-CORNER	Fixed corner piece for I-Sign Fix	40 pieces per pack

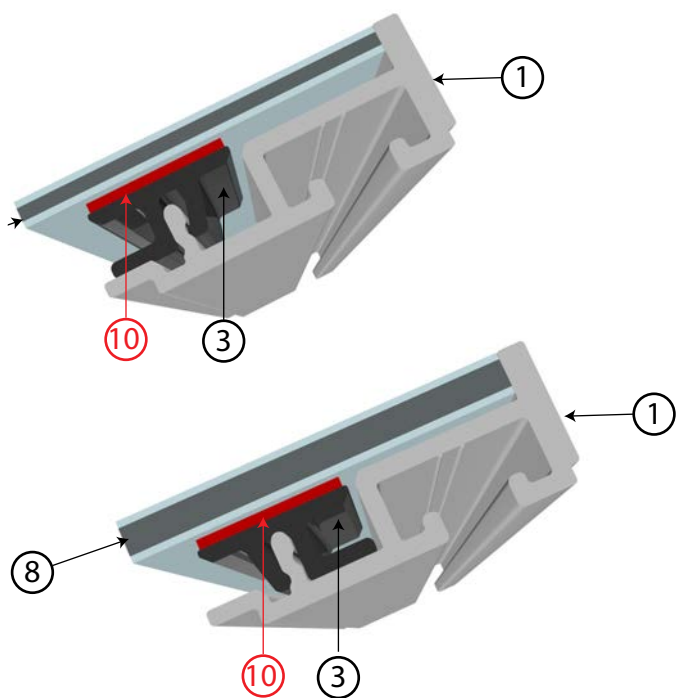
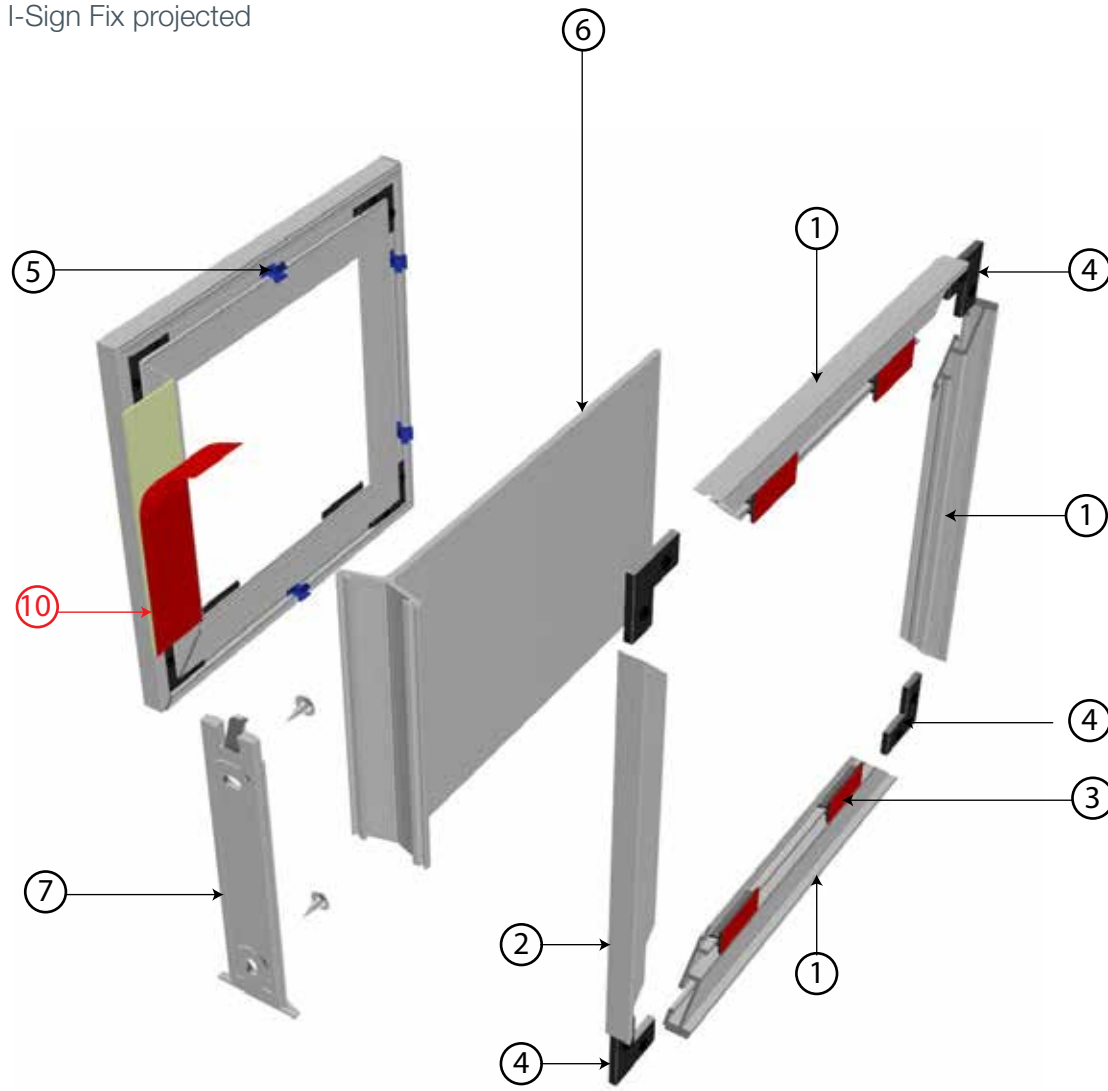
For construction details of kit form products please refer to the following concept drawings

I-Sign Fix wall mounted



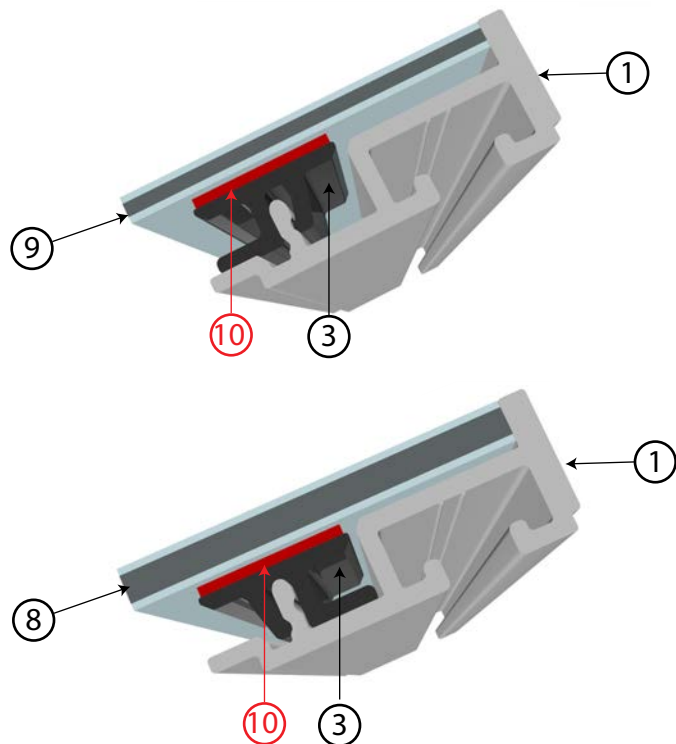
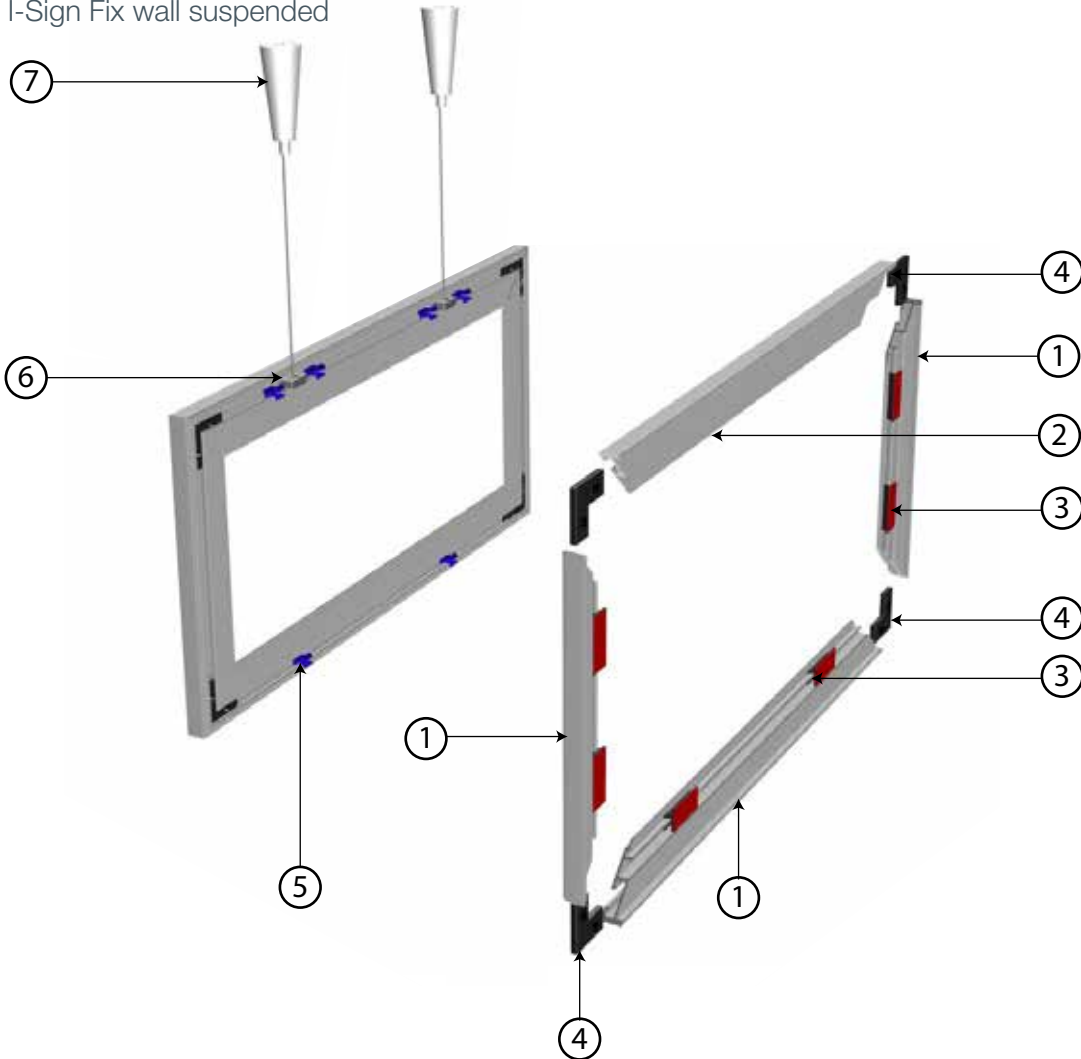
Item No.	Code	Description
1	IF-WM	Wall mounted profile for I-Sign Fix
2	IF-CLIP	Panel clip
3	I-CORNER	Fixed corner piece
4		3M double-sided tape
5		3mm panel
6		2mm panel

I-Sign Fix projected




Item No.	Code	Description
1	IF-WM	Wall mounted profile for I-Sign Fix
2	IF-SP	Suspended/Projecting profile for I-Sign Fix
3	IF-CLIP	Panel clip
4	I-CORNER	Fixed corner piece
5	I-CONNECTOR	Frame connector
6	I-FLAG-P	Flag profile for I-Sign Fix
7	I-BRACKET	Wall fixation bracket
8		3mm panel
9		2mm panel
10		3M double-sided tape

I-Sign Fix wall suspended



Item No.	Code	Description
1	IF-WM	Wall mounted profile for I-Sign Fix
2	IF-SP	Suspended/Projecting profile for I-Sign Fix
3	IF-CLIP	Panel clip
4	I-CORNER	Fixed corner piece
5	I-CONNECTOR	Frame connector
6	APC3000S	Suspension clip
7	APC4101	Suspension set: 2 x conical clip + wire
8		3mm panel
9		2mm panel
10		3M double-sided tape

For more information on Applelec's products, please get in touch:

 01274 774 477

 [sales@applelec.co.uk](mailto:sales@applelec.co.uk)

 [www.applelec.co.uk](http://www.applelec.co.uk)

---

 **Postal address:**

Applelec  
Unit 1, Wharfedale Business Park  
Shetcliffe Lane  
Bradford  
West Yorkshire  
BD4 9RW