



first direct arena, Leeds by Nebula Creative

TEXA Frame

A new textile frame system from Applelec designed for illuminated and non-illuminated displays

Product Brochure

Create seamless textile frames up to 3m wide



TEXA Frame is a new textile frame system that makes the installation of printed textile graphics fast and efficient.

Designed to display flex-face prints, the system can be used for non-illuminated installations or fabric lightboxes, with the addition of LED illumination. Double-sided and single-sided frames can both be created using different profiles from the TEXA Frame range up to a maximum width of 3000mm without a join. Larger sizes are possible using joining strips (joins are visible).

Featuring a range of extruded aluminium profiles, designed to accommodate different material thicknesses and LED illumination options, the system includes accessories to enable wall mounted,



freestanding and suspended textile frames to be created.

TEXA Frame has been designed to provide straightforward installation of printed textile graphics and future updates. Each printed textile fabric requires a silicone beading to be added to its outer edges which slots into a channel in the aluminium frame. The silicone is simply pressed into the frame which secures the slightly stretched fabric into position.

To create a fabric lightbox, SloanLED PosterBOX 3 modules, available from Applelec, provide an illumination solution for both single and double-sided installations. Just two rows of facing modules are required along the top and bottom edges of the TEXA Frame to deliver bright and even illumination.

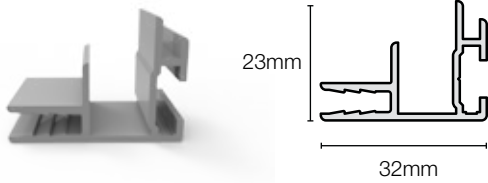
TEXA Frame is ideal for retail and leisure environments, commercial and exhibition displays.

Key features

- Easy to change graphics
- Illuminated and non-illuminated options
- Seamless printing up to 3m wide
- Single and double-sided profiles available
- Wall mountable or free standing
- Improve the acoustics of a room or create partitions

Profiles

Single-sided Textile Frame Profiles

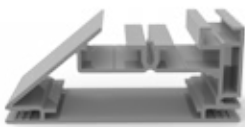


32 x 23mm (LED Light Sheet)

Length: 6100mm

Product code: TEXLLS32

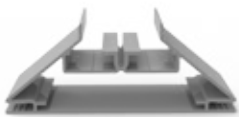
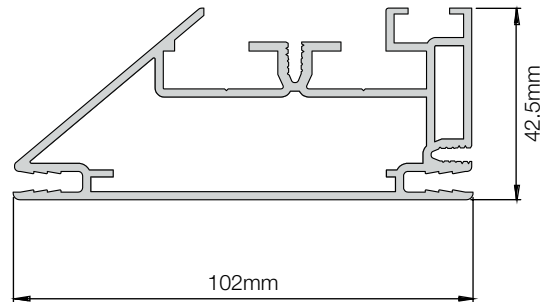
Profiles for LED Textile Frames



Single sided LED textile profile 102x42,5mm (backlit)

Length: 6100mm

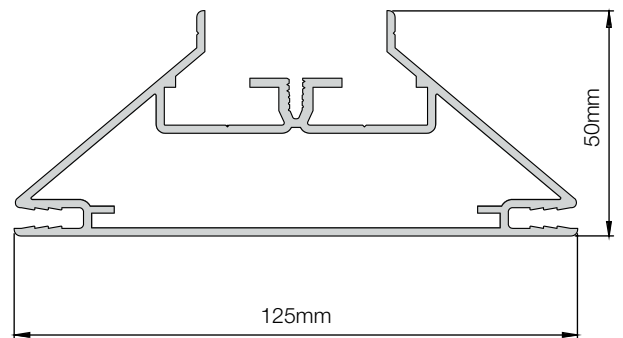
Product code: TEXLEDSS-BL



Double sided textile profile 127x50mm (backlit)

Length: 6100mm

Product code: TEXLEDDS-BL



Single sided LED textile profile 102x42,5mm (edgelit)

Length: 6100mm

Product code: TEXLEDSS-EL



Double sided textile profile 127x50mm (edgelit)

Length: 6100mm

Product code: TEXLEDDS-EL

Accessories

Standing Kit



Foot 400mm

Product code: TEXFOOT40 Quantity: 1



Foot 600mm

Product code: TEXFOOT60 Quantity: 1



Side Support

Product code: TEXFEETSIDE Quantity: 1

Accessories



Clear nylon strip 13.5 x 2.8mm

100m

Product code: TEXNYLON

Floor Plates



Circle (Ø 450 x 6mm)

Product code: TEXCIRCLE Quantity: 1



Hoop (Ø 450 x 6mm)

Product code: TEXHOOP Quantity: 1



Baseball (Ø 450 x 300 x 6mm)

Product code: TEXBASE Quantity: 1



Fillet (Ø 500 x 180 x 6mm)

Product code: TEXFILLET Quantity: 1

Accessories

Corner Connectors



L-type corner connector for textile frame

For profile: TEXSSLD15 & TEXSSLD19

Product code: TEXCORNL **Quantity:** 10



Corner piece for LED textile frames

For profile: TEXLEDSS (BL/EL) & TEXLEDDS (BL/EL)

Product code: TEXLEDCORN **Quantity:** 8



90 x 12 x 6mm

For profile: TEXSSLD15, TEXSSLD19 & TEXNICHE

Product code: CONNECTOR1 **Quantity:** 10



100 x 16 x 4mm

For profile: TEXLEDSS (BL/EL) & TEXLEDDS (BL/EL)

Product code: CONNECTOR2 **Quantity:** 10

Mounting Bracket




Bracket for LED textile frames

Product code: TEXLEDBRACKET

Quantity: 20

For more information on Applelec's products, please get in touch:

 01274 774 477

 sales@applelec.co.uk

 www.applelec.co.uk

Postal address:

Applelec

Unit 1, Wharfedale Business Park

Shetcliffe Lane

Bradford

West Yorkshire

BD4 9RW